



**NPD**  
**POWERED**

# BOSS PRO

GENERAL PEST CONTROL & TURF

**PRO-1024-C**

**30 LITERS**

**PARTS MANUAL**

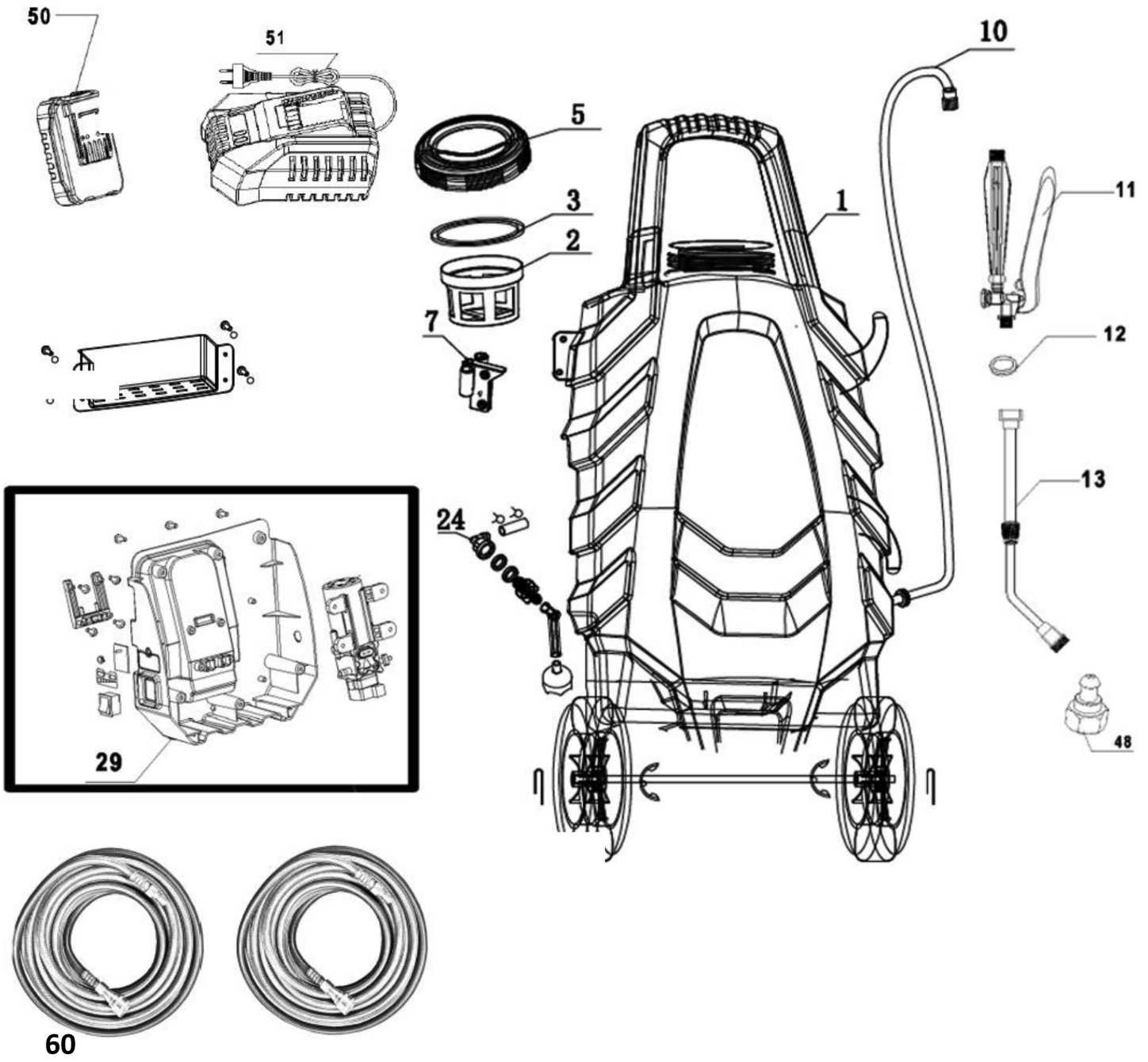
**HIGH OUTPUT**

**LIQUID TREATMENT SYSTEM**

**RECHARGEABLE**



# Parts Line Drawing



## Parts List

| #  | SKU                                 | Description   |
|----|-------------------------------------|---|
| 1  | <a href="#">PDS-1-8G-C</a>          | Tank 8 Gallon, Pro-1024 c/w Wheels                                |
| 2  | <a href="#">PDS-2-8G-C</a>          | Screen Filter, Pro-1024   |
| 3A | <a href="#">PDS-543-A-8G-C</a>      | Lid Seal, PRO-1024  |
| 5  | <a href="#">PDS-543-8G-C</a>        | Lid, Black - Pro-1024   |
| 7  | <a href="#">PDS-678-C</a>           | Wand Mounting Bracket   |
| 10 | <a href="#">PDS-125-11-8G-C</a>     | Hose Connection to Pump to QD Gun 51"                             |
| 11 | <a href="#">PDS-6111-QD-C</a>       | Trigger Gun Metal 11/16 <sup>th</sup> Output w/ Quick Disconnect  |
| 12 | <a href="#">2-112N900-C</a>         | O Ring Seals All Output Tips and Wand                             |
| 13 | <a href="#">PDS-018-C</a>           | 10"-18" Extension Wand  |
| 24 | <a href="#">PDS-24-28-8G-C</a>      | Siphon Tube, Screen Filter & Connection Tube for PRO-1024         |
| 29 | <a href="#">PRO-30L-1024-1833-C</a> | Operating System (Pump, Switch, Circuit Board, Case) for PRO-1024 |
| 48 | <a href="#">PDS-2.5MM-C</a>         | PRO-1024 High Flow Pin & Cone                                     |
| 50 | <a href="#">PDS-36-C</a>            | 18 Volt DC Rechargeable Battery                                   |
| 51 | <a href="#">PDS-43-C</a>            | 120 Volt Quick Charger  |
| 60 | <a href="#">NEH-25-C</a>            | 50ft Extension Hose (Most models come with 2)                     |

## Accessories

|  | SKU                            | Description   |
|--|--------------------------------|---|
|  | <a href="#">PDS-654X-C</a>     | Cover X Foam Tip                                    |
|  | <a href="#">PDS-250-C</a>      | Vehicle Inverter                                    |
|  | <a href="#">PDS-046-C</a>      | 20" to 39" Extension Wand                           |
|  | <a href="#">PDS-065-C</a>      | 28" to 54" Extension Wand                           |
|  | <a href="#">NEH-12-C</a>       | 12" Extension Hoses                                 |
|  | <a href="#">NEH-50-C</a>       | 50" Extension Hoses                                 |
|  | <a href="#">SH-59102-C</a>     | Measurement / Storage Jug                           |
|  | <a href="#">PDS-39PB3-C</a>    | Awl Misting Tip                                     |
|  | <a href="#">PDS-6111-13-C</a>  | Trigger Gun Repair Kit                              |
|  | <a href="#">SKU-2-112EWS-C</a> | Wand Seal Replacement Kit                           |
|  | <a href="#">PDS-6111-QDA-C</a> | Quick Disconnect Assembly for Trigger Gun, c/w Seal |