



# Compressed Air Sprayers

## Dry Foam, Wet Foam & Liquid Ready



NPD  
NW2491-P31MT 128oz  
NW2492-P31MT 230oz

NPD  
NW2491-P31PP 128oz  
NW2492-P31PP 230oz

### The JACK Plus Equipment Line Advantage

Patent Pending

The **JACK Plus** Compressed Air Sprayers have been designed to provide the Industry with maximum flexibility and effective application and treatment options for Pest, Turf and Termite Control.

Each **JACK Plus** Compressed Air Sprayer provides the option of three treatment methods, **Dry Foam**, **Wet Foam** and **Liquid**, from just one Sprayer. The triple output feature allows the technician to switch application methods; Dry Foam, Wet Foam or Liquid, in just seconds.

Note: Chemical mixture must contain ProFoam Platinum foaming agent to complete this feature.

- **Dry Foam...** applications for all gallery and void areas where insects live
- **Wet Foam...** for below grade or under slab areas where Ants, Small Flies and other insects live
- **Liquid...** interior and exterior applications

Add NPD's 120 Volt AC Air Compressor and All Terrain Aluminum Cart and you have a Portable Spraying System; taking you to areas where truck mounted sprayers cannot reach.





## Operational Advantages:

- Hand Pumped or Air Compressor Operated offering faster performance for large interior treatments
- Higher Output Volumes are achieved while reducing set up and calibration times
- Can be used as an Exterior Portable Power Sprayer; taking you to areas where truck mounted sprayers cannot reach
- Does not require any adjustments to achieve the correct expansion or delivery of Foam. You need only change to the appropriate Quick Disconnect fitting
- No moving internal parts thereby avoiding the constant repair problems associated with check and adjusting valves with old equipment designs
- The wide selection of tools and application tips is comprehensive, meeting the varied demands of the Pest and Termite Control Industry
- Unlike stainless steel sprayers, **JACKPlus** allows the technician to easily see and record chemical usage and mixtures

**JACKPlus** is ideal for Pest and Termite Control; it can be used for all interior and exterior treatments where broadcast, pinpoint, crack and crevice or paint brush applications are needed in both Foam and Liquid.

**JACKPlus** is also perfect for drain treatments and other commercial account applications for restaurants, hotels and grocery stores.

**JACKPlus** is perfect for gallery treatments but is also ideal for treating bath traps and wall voids as well as wet foaming under slabs and soil probing.

The **JACKPlus** Kit comes with basic tools but has additional accessories to choose from. So you have all your needs covered with just one applicator!

NPD Products Ltd.  
Ph # 705-734-0932    [service@npdproducts.com](mailto:service@npdproducts.com)    [www.npdproducts.com](http://www.npdproducts.com)



# JACK Plus

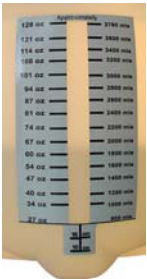
## Tank Features

The **JACK Plus** Tank is made of a durable High Density, translucent, see through plastic.



### Measuring Scale

Chemical costs and Government Regulations now make this a must. **JACK Plus** has a replaceable measuring scale which has numerous increments to ensure accurate chemical usage. The amount of liquid chemical and or foam applied at each job location is very small and impossible to accurately guesstimate when using solid stainless steel or aluminum Sprayers.



### Hand Pump or Pressurized

#### Tank Pump

The Air Shaft is large and allows minimal pumping to reach an adequate pressure level. The Pump is also priced so that when parts get worn it is most economical to replace the complete pump.



#### Safety Valve

Each **JACK Plus** has a built in Safety Valve to protect from over pressurization.



#### Parts

The operational cost of the **JACK Plus** system is very efficient, requiring very little maintenance or repair over time.

**JACK Plus** comes standard with growth potential so you can add on additional options at a later date. The Air Input Connector mounted on the tank by example, allows for your system to be pressurized by an NPD AC Air Compressor





# Flexibility

Today's pest control operators are required to complete a variety of different types of pest control treatments throughout the day and need equipment that is versatile enough to meet those needs.

NPD's product line also offers a vast Tool and Tip assortment that integrates with all connection options:

- Heavy duty brass quick disconnects for durability in rough service areas
- Light weight quick disconnects ideal for pest control treatments
- Threaded brass fittings, the standard in the industry

## So Easy to Operate

For complete flexibility, add *PROFOAM PLATINUM* Foaming Agent to your chemical mixtures. *PROFOAM PLATINUM* is non-repellant, non-ionic and ph-adjusted so it can be used with all chemicals. Then choose your application, Dry Foam, Wet Foam or Liquid, and connect the fitting on the connection hose on to the appropriate labeled Quick Coupler on the *JACK Plus* tank. It is that simple.

With *JACK Plus* you have two application tools; the Comfort Grip Palm Gun and the Telescoping Extension Wand. There are also a number of tips, for foam and liquid, to choose from. For close work such as inside kitchen cabinets and bars; the Palm Gun would probably be your best choice. Remember both the Palm Gun and the Extension Wand can be used for liquid and foam treatments.

Thread or snap your components together and you are ready to go.



Choose your application method and connect hose to appropriate labeled Quick Coupler on the Tank



Screen/Check Valve is used with your Liquid Output Tips Only!  
DO NOT USE SCREEN WHEN APPLYING FOAM



# JACK Plus Selection

Proper tool and tip selection can be as important as the chemical that you choose to complete the job. Review the options; getting the chemical to the target zone can be easier than you think.

## Removable treating hose and tool system

### Palm Gun c/w 60" connection hose

Many areas that need treatment such as kitchen cabinets, restaurant bars and other tight quarters need shorter hand tools. The **JACK Plus** system offers the Technician the option to use an accessory Extension Wand or use the smaller Palm Gun which is more effective in many areas of treatment. The Palm Gun set has **Foam and Liquid Spray Tips**.



### Accessory Telescoping Extension Wand

Features:

- Extends from 24" to 44" in length
- Threads to the Comfort Grip Palm Gun
- Has a variety of **Foam and Liquid** Tips to choose from.

### Telescoping Extension Wand Operation

The Wand extends by loosening the center connection and then expanding it to your desired length and then retightening it. **Note:** When collapsing the Wand back to a shorter length the chemical located in the outer portion will dispense. Be sure to make length changes carefully and in the area you are treating.



Extension Wand only **NW-700-EXT**

Palm Gun c/w 60 inch connection hose and Quick Disconnect **NP2006B**

NPD Products Ltd.  
Ph # 705-734-0932 [service@npdproducts.com](mailto:service@npdproducts.com) [www.npdproducts.com](http://www.npdproducts.com)



# Complete Kits

With Brass Quick Disconnect Fittings

## Complete Sprayer Part Numbers



Kit NW2491-P31PP 128oz  
NW2492-P31PP 230oz

### Sprayer Kit Contents:

- 1 – **JACK Plus** Tank, **Liquid and Foam** ready, Hand Pump or Pressurized
  - 1 – 31 Palm Gun c/w 60 inch connection hose Brass QD
  - 1 – Wand 18 Inches Brass
  - 1 – **Foam** Fan Tip NW-1325-8008 Brass
  - 1 – Flexible **Foam** Tip NWF-2
  - 1 – Liquid Only Adjustable Pin & Cone Spray NW-5500X5  
22 Foot Distance
  - 1 – Screen Filter-Check Valve for Liquid applications
- Convenient Tip Pouch is included with each **JACK Plus** System



NW2491-P31PP 128oz  
NW2492-P31PP 230oz

## Complete Sprayer Part Numbers



Kit NW2491-P31MT 230oz Tank  
NW2492-P31MT 230oz Tank

### Sprayer Kit Contents:

- 1 – **JACK Plus** Tank, **Liquid and Foam** ready, Hand Pump or Pressurized
  - 1 – 31 Palm Gun c/w 60 inch connection hose Brass QD
  - 1 – Wand 18 Inches Brass
  - 1 – Flexible **Foam** Tip NWF-2
  - 1 – Liquid Only Adjustable Multi Tip NW12033H
  - 1 – Screen Filter-Check Valve for Liquid applications
- Convenient Tip Pouch is included with each **JACK Plus** System



NW2491-P31MT 128oz  
NW2492-P31MT 230oz

NPD Products Ltd.

Ph # 705-734-0932

[service@npdproducts.com](mailto:service@npdproducts.com)

[www.npdproducts.com](http://www.npdproducts.com)



## Individual Parts Listing Brass Threaded Tool and Tip Section

**NW31-24**    **31 Palm Gun and 60 Inch Connection Hose  
c/w 18" Wand**



**NP2006B**    **Palm Gun and 60 Inch Connection Hose  
Liquid or Foam use c/w Brass QD**

**NWF-6**        **Liquid or Foam Crack and Crevice 18 Gauge .125 Tip  
Flex Injection Tip Stainless Steel 3/4 .125  
Replaceable Luer, other size tips available**



**NW-5500X5**    **Liquid Only Adjustable Pin and Cone Spray 22 Foot Distance**



**NW-16**        **Liquid or Foam Paint Brush flow through**



**NWF-2**        **3/16 Flexible Foam Tip**



**NW12273H**    **Multi Rotational Tip 4 Tips in One Liquid Only**



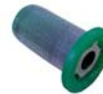
**NW-1325-8008**    **Foam Fan Spray Tip**



**NW-1325-8001**    **Liquid Fan Spray Tip**



**4193A-PP-05-100SS**    **Screen Filter & Check Valve**



**NW1321**        **Main Tip Body**



**NB2875**        **Awl Mist and Foam Tip Complete**  
The Awl Tip is Rockwell hardened and can be pushed through dry wall without being drilled.  
Tip is ideal for treating dry wood termite galleries and other voids. (Does not require tip adapter)



**N22990A**        **Awl Tip Only**

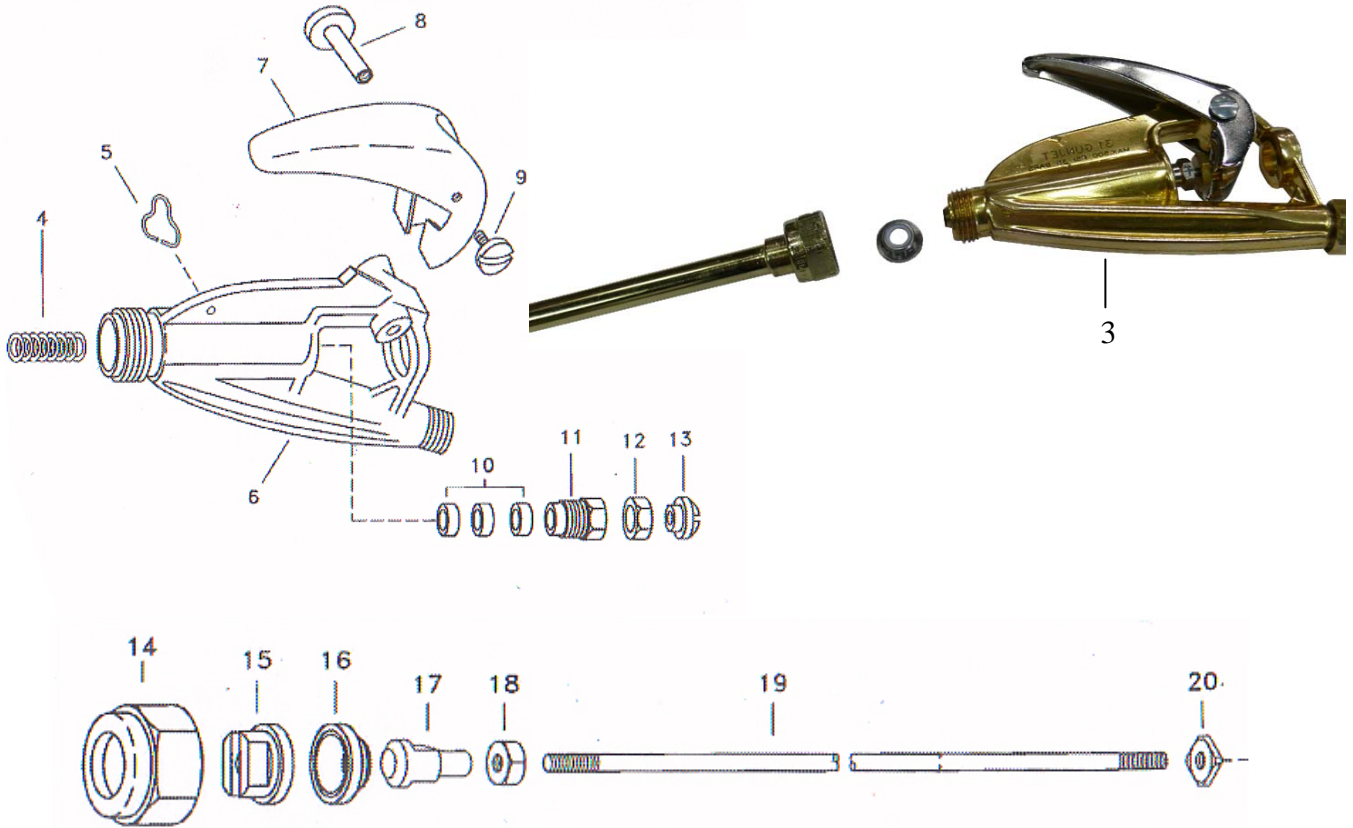


**N1017**        **Awl Tip Cleaning Set**





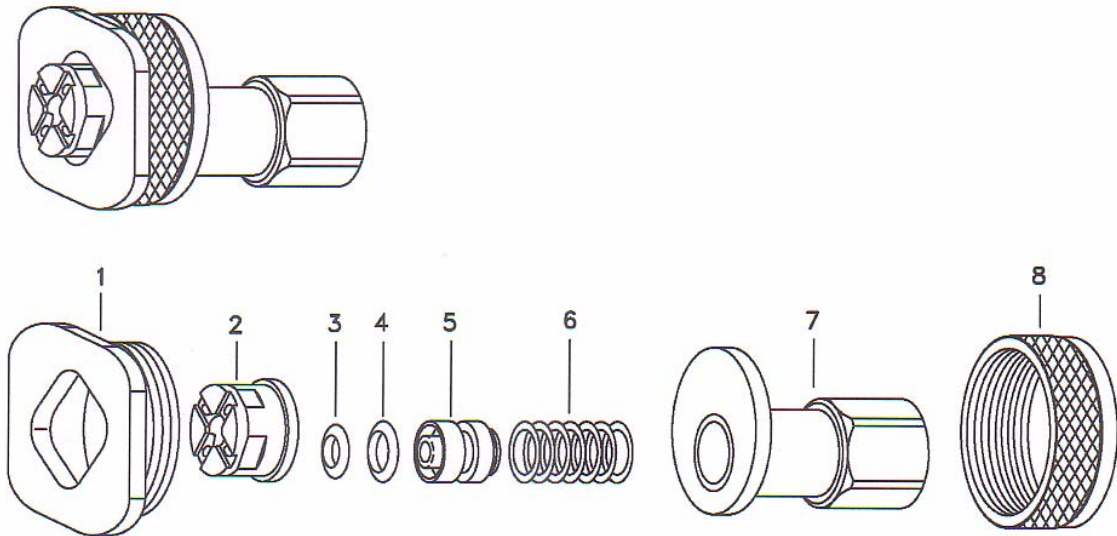
# AA31 HAND GUN



3	AA31	Hand Gun complete
4	CP9134-302SS	Spring, Type 302 Stainless Steel
5	CP9108-304SS	Trigger Lockwire, Type 304 Stainless Steel
6	CP9062	Body, Brass
7	CP9033-INP	Trigger, Steel, Nickel Plated
8	CP9034-1-IZP	Screw Housing, Steel, Zinc Plated
9	CP9034-2-IZP	Screw, Steel, Zinc Plated
10	CP7487-1-TEF	Packing, Teflon (3 Req'd) Standard
11	CP7485-ENP	Packing Screw, Brass, Electroless Nickel Plated
12	CP9035	Locknut, Brass
13	CP9036	Nut, Brass
14	CP1325	Cap, Brass
15	TP---	Spray Tip
16	CP7490-TEF	Seat, Teflon
17	CP7678	Stem End, Brass
18	CP7679-1	Stem Guide Nut, Brass
19	CP12091-24-SS	Stem, Stainless Steel
20	CP12089-SS	Spring Retainer, Stainless Steel



# MULTI TIP Complete NW12033H



1	CP12269	Tip Holder, Brass
2	12273-26-HSS	Spray Tip, Hardened Stainless Steel
3	CP7717-3-BU	O'Ring, Buna-N
4	CP7717-5-BU	O'Ring, Buna-N
5	CP12270-SS	Seat Follower, Stainless Steel
6	CP12271-302SS	Spring, Type 302 Stainless Steel
7	CP12263-1-IBP	Inlet Body Sub-Assembly, Brass Plated Steel (For AA120-3 With 11/16-16 Thread Conn.)
8	CP12268	Retainer Ring, Brass



## Individual Parts Listing

### Brass Threaded Tool and Tip Section

#### Wands Brass and Extension

- NAG6671-36 Brass Wand 36 Inch
- NAG6671-24 Brass Wand 24 Inch
- NAG6671-18 Brass Wand 18 Inch
- NAG6671-12 Brass Wand 12 Inch
- NW-700-EXT  
Liquid and Foam Extension only  
24 to 44 Inches (Requires Palm Gun)



#### Drain Treating Equipment

- NDP6-12 Drain Plate
- NW3 Liquid & Foam Flow Thru Drain Brush 12 Inch
- NW28-BR Liquid & Foam Drain Brush 32 Inch  
(with removable brush head)



#### Injection Rods

- N28-DR Foam Drain Rod
- N28-SLAB Foam Slab Rod 32 inch  
(with removable foam and liquid slab tip)



#### Probes Rods

Probe Rods are Stainless Steel and can be used for Liquid & Foam Treatments. They are Ideal for reaching into wall voids or for soil treatments for Ants, Termites and other crawling insects.

- NW28 Universal Rod 28 inch  
(with threaded brass connections)
- NW12 12 Inch Stainless Steel Probe Rod  
(for use with NW28 Universal Rod)
- NW6 6 Inch Stainless Steel Probe Rod  
(for use with NW28 Universal Rod)
- NW28-T Foam and Liquid Sub Slab Tip  
(for use with W28 Universal Rod)
- 2-112N900 Replacement O-Ring  
(for use with all Brass Threaded Tips)





## Individual Parts Listing

### Tip Adaptors

All of our tips and tools are universal and can be adapted to each other by using the correct fitting.



**NW-B72N2**

**Male Plug to Female Thread**







This adaptor allows you to use the Macs Hand Gun Treating Tools that are equipped with brass QD fittings.

### Stainless Steel Injection Tips with our Luer Lock Design

For use with the NB6 Liquid & Foam, Crack-Crevice-Gallery Flexible Injection Tip

Stainless Steel Injection Tips are used for Foam, Liquid and Dust application.

12 Gauge for Liquid, Foam or Dust, 18 Gauge for Liquid Only

	<b>NWF-6</b>	<b>Liquid &amp; Foam Flexible Stainless Steel Injection Tip for Crack-Crevice-Gallery</b>
	<b>NT-3SS</b>	<b>3 Inch .125 (12 gauge) &amp; Cone</b>
	<b>NT-2SS</b>	<b>2 Inch .125 (12 Gauge) &amp; Cone</b>
	<b>NT-3/4SS-12</b>	<b>3/4 Inch .125 (12 Gauge) &amp; Cone</b>
	<b>NT-3/4SS-18</b>	<b>3/4 Inch 18 Gauge Liquid Only Crack &amp; Crevice</b>
	<b>NT90-2SS</b>	<b>2 Inch x 90 degree .125</b>

### Depth Cone and Seals for Injection Tips



<b>CONE.082</b>	<b>.082 (18 Gauge) Depth Cone and Seal</b>
<b>CONE.125</b>	<b>.125 (12 Gauge) Depth Cone and Seal</b>
<b>CONE-3/16</b>	<b>Depth Cone and Seal</b>
<b>CONE-1/4</b>	<b>Depth Cone and Seal</b>

NPD Products Ltd.

Ph # 705-734-0932

[service@npdproducts.com](mailto:service@npdproducts.com)

[www.npdproducts.com](http://www.npdproducts.com)



## Individual Parts Listing

### ADDITIONAL ACCESSORIES

**N523155**

Tip Pouch



**NP2365**

15 Foot **Foam-Liquid** Extension Hose Double Braid Brass Quick Disconnects



**NP84Y50MV**

50 Foot Air Supply Hose. This hose supplies air from the Compressor to the Jack Plus Applicator for increased portability.



**NB120V**

120 Volt AC Compressor 2 gallon tank, c/w safety valve, auto shut-off and cooling fan



**NK1113TH**

All Terrain Aluminum Cart, Single tank capacity for use with 1, 2, 3 or 4 gallon tanks, Telescoping Handle





## Individual Parts Listing - Tanks Only

### JACK Plus 128 oz. N2491P

Tank

Contents:

- 3 – Output Connections
- Dry Foam, Wet Foam & Liquid
- 1 – Air Input Connection
- 1 – Safety Relief Valve
- 1 – Hand Pump
- 1 – Shoulder Strap
- 1 – Accurate Measuring Scale



### JACK Plus 230 oz. N2492P

Tank

Contents:

- 3 – Output Connections
- Dry Foam, Wet Foam & Liquid
- 1 – Air Input Connection
- 1 – Safety Relief Valve
- 1 – Hand Pump
- 1 – Shoulder Strap
- 1 – Accurate Measuring Scale



### SCALES

128 oz Scale JACK Plus J-128

230 oz. Scale JACK Plus J-230



### LABELS

Dry Foam Output J-6

Wet Foam Output J-7

Liquid Output J-2

Air Input J-3

JACK Plus J-8



N123456

Hand Pump Cylinder

N2490SK

Seal Kit; Cup, Button and 2 bevel seals

P24

Output Male Plug and Elbow Assembly

NST25-50

Safety Release Valve

NPD Products Ltd.

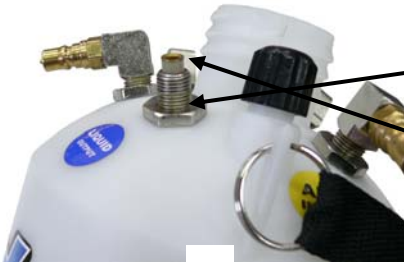
Ph # 705-734-0932

[service@npdproducts.com](mailto:service@npdproducts.com)

[www.npdproducts.com](http://www.npdproducts.com)



## Tank and Hose Fittings



**N24457AM Bulk Head**

**N24457F**  
**N24457WF**  
**N24457L**

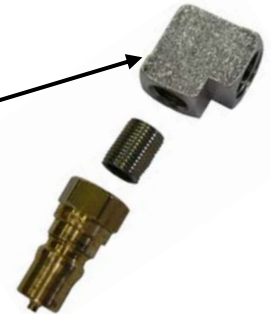
**Dry Foam Output Tube**  
**Wet Foam Output Tube**  
**Liquid Output Tube**



**NST25-50 Safety Release Valve & Bulk Head**



**25550 Elbow 1/8 MPT x 1/4 MPT**  
Connects the QD Male Plugs to the Bulkheads on the Tank



**B72N2-2F-112-A QD Male Plug 1/4"**  
(Connects to the Foam and Liquid Output Hose and the Air Inlet Hose as well as connecting the extension hose to the Output Hose)



**B72C2-2F QD Body 1/4" FPT**  
Connects to the Air Connector Hose





# NPD Product Line Features



**PROFOAM PLATINUM** Foaming Agent goes the distance to supply the Highest Quality Performance with Low Environmental Impact.

**PROFOAM** also has the Formula and Labelling required for All Types of Applications and Uses.

**PROFOAM PLATINUM** will provide your company with Superior Treatment Capabilities by transporting all types of products to remote areas such as: wall voids, tunnels, ground voids, drains and other voids, which need Complete Treatment of All Vertical and Horizontal Surfaces.

- PROFOAM PLATINUM** - has been Independently Tested and proven be Non-repellent
- PROFOAM PLATINUM** - is a Non-ionic formulation
- PROFOAM PLATINUM** - is Registered in All 50 U.S.A. states
- PROFOAM PLATINUM** - Evaluated and Accepted by Canadian Food Inspection Agency
- PROFOAM PLATINUM** - Does not contain any compounds listed in the current California Prop 65 Bill, the Most Stringent Industry Environmental Control
- PROFOAM PLATINUM** - provides Consistent Expansion Ratios when mixed with other products
- PROFOAM PLATINUM** - read our Label for the Broad Range of Uses, from wall voids to drains...nothing else compares
- PROFOAM PLATINUM** - is Packaged in Quarts and Gallons, meeting the varied needs of pest and termite control

When adding . **PROFOAM** to other chemicals follow all mixing instructions on chemical manufacturer's label, adding . **PROFOAM** as directed. . **PROFOAM** rates will vary depending on chemical and equipment used.

**PROFOAM** is a Non-toxic blend of surfactants. Use it to complete "Green Treatments" in conjunction with NPD's other "Green" products; **BIOPlus** and **Dual** and increase their reach and effectiveness. **PROFOAM** will increase surface contact time and it's surfactants will reduce surface tension, thus maximizing penetration and impact of active ingredients.

**PROFOAM PLATINUM** Foaming Agent sets the Highest Industry Standard  
**READ OUR LABEL and Compare! Nothing Else Stacks Up!**



Formulated in Partnership with:



**BIOPlus** is a Biological Bacterial Agent that was formulated in partnership with the U.S. EPA “Design for the Environment”. It delivers exceptional bacterial activity with aerobic growth to speed the breakdown and digestion of fats, proteins, carbohydrates and petroleum hydrocarbons.



The multi strains of microbes in **BIOPlus** begin to work immediately when introduced to an organic food source. There is no germination time required as with spores and the patented microbes can work with or without oxygen. These unique microbes literally eat, consume, and digest oil, grease and organic matter, converting it into Carbon Dioxide and water.

**BIOPlus** Microbes contain no chemicals, no fillers, no perfumes, no emulsifiers, no enzymes, no seeds, no spores, and no pathogens. There is no mixing, no waiting, and best of all no clean up time.

**BIOPlus** Microbes are patented, all natural, live vegetative, environmentally safe, State-of-the-Art, next generation performance based product, that really and truly works. It is simply the right thing to do!

**BIOPlus** will achieve maximum performance when used with NPD’s **PROFOAM PLATINUM** Foaming Agent and NPD’s Application Equipment which provide the foam carrier process to effectively deposit **BIOPlus** Microbes to all surfaces.

## Dual

NPD’s *Dual* is a specially formulated and extremely effective Biodegradable Odor Counteractant - Cleaner - Degreaser, containing D-Limonene derived from citrus fruits.



*Dual* can play an important role when dealing with sanitation issues that have developed from pest problems. Odor from pest fecal material and pest pheromones are a strong pest attractant, so implementing a good sanitation program which includes *Dual* will assist in achieving desired results. Treatment with *Dual* will loosen grime, so to avoid accidents and possible staining, rinse down with potable water any treated surfaces.

*Dual* has been formulated to work with NPD’s **PROFOAM PLATINUM** Foaming Agent and NPD’s Application Equipment. When used as a foam, the technician can scrub down the surface areas with a brush which provides increased penetration of the product and greater odor control. After cleaning, the area is left with a strong citrus scent.

*Dual* treatment is perfect for dumpsters, compactors and their surrounding walls and floors. It is also great for washrooms and kitchens. Do not use in food handling areas of food establishments.

*Dual* can be added to **BIOPlus** and **PROFOAM PLATINUM** in drain and dumpster treatments to enhance their effectiveness.

NPD Products Ltd.

Ph # 705-734-0932

[service@npdproducts.com](mailto:service@npdproducts.com)

[www.npdproducts.com](http://www.npdproducts.com)